

AIRER



workagile

WORKPLACE FURNITURE

Height adjustable acoustic 'hood' complete with traditional yacht rigging.



Product shown here in conjunction with x2 Forbi lights.



Product shown here in conjunction with x2 Forbi lights.



Aside from its acoustic function, Ainer provides a unique feature piece with beautifully engineered detailing. Ainer defines space, creating a room within a room.

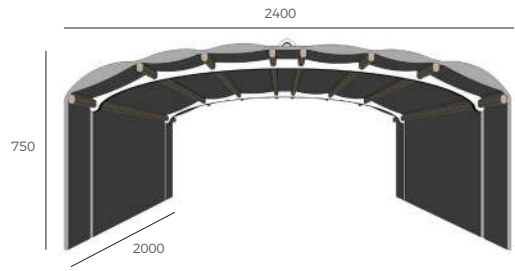
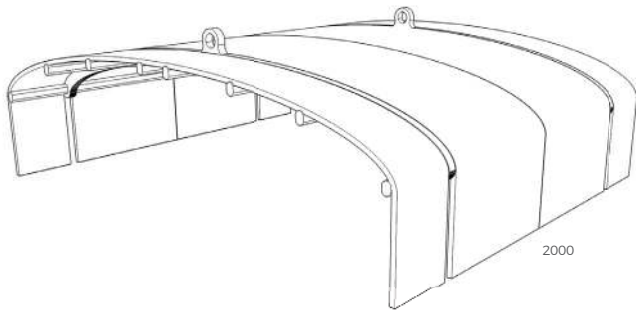


Designer's comment:

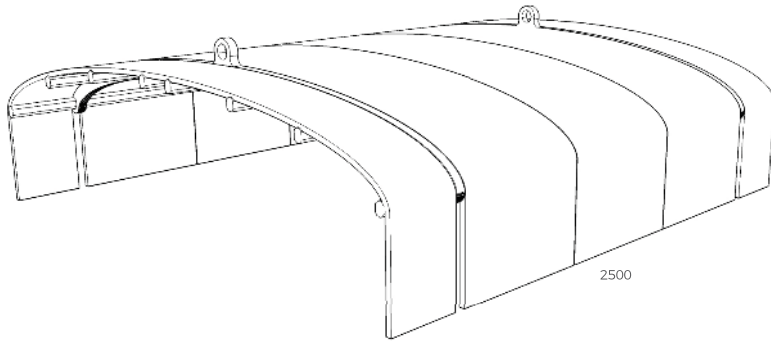
The inspiration for this product came from the traditional 'clothes airer', centre piece in every Georgian house kitchen. The Workagile Ainer is somewhat a more modern take on that, but in principle the same. Reengineering a well proven idea is good design.



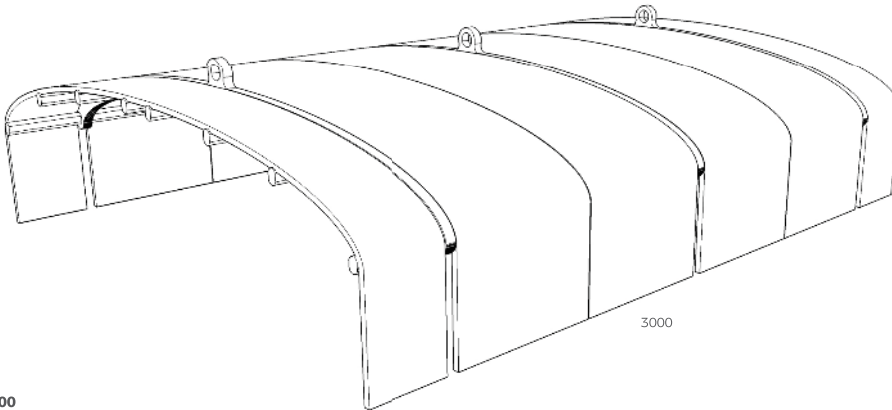
Standard Sizes



Aired 2000
2000x2400x750mm High



Aired 2500
2500x2400x750mm High



Aired 3000
3000x2400x750mm High

Standard Finishes

Frame:

- 10mm white solid grade laminate

Timber Bearer:

- Oak
- Walnut

Upholstery:

- Fabric Band 1
- Fabric Band 2
- Fabric Band 3

workagile

WORKPLACE FURNITURE

To specify Airer, request the drawing model files by emailing us: london@workagile.co.uk

+44(0)20 3904 6688
london@workagile.co.uk
workagile.co.uk

UK Showroom
1 Britannia Lofts, 16-26 Banner Street
Clerkenwell, London, EC1Y 8QE